

CD RECEIVER

KDC-2021SA/SG

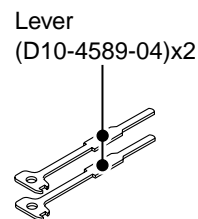
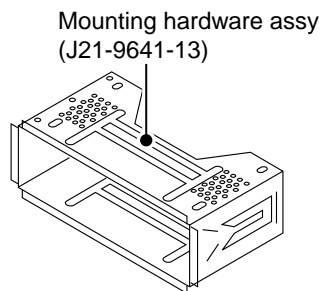
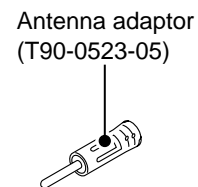
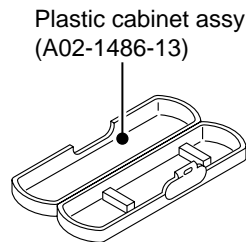
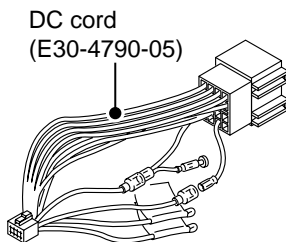
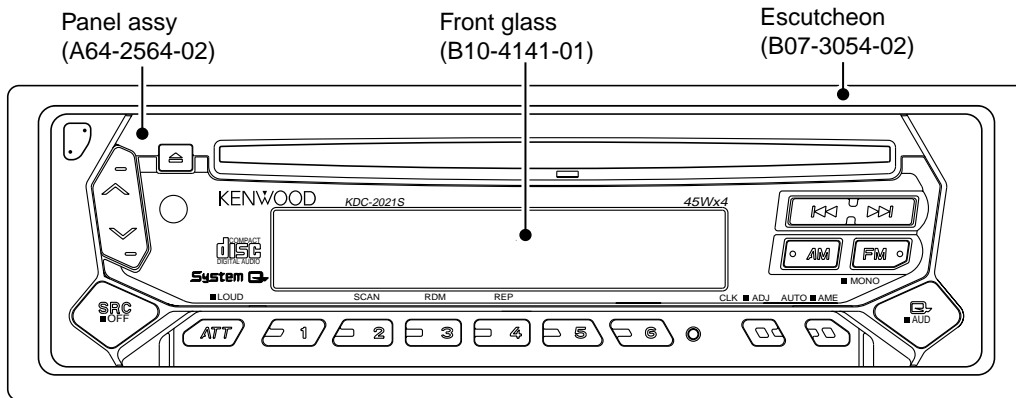
SERVICE MANUAL

KENWOOD

© 2001-12 PRINTED IN JAPAN
B51-7873-00 (N) 1930

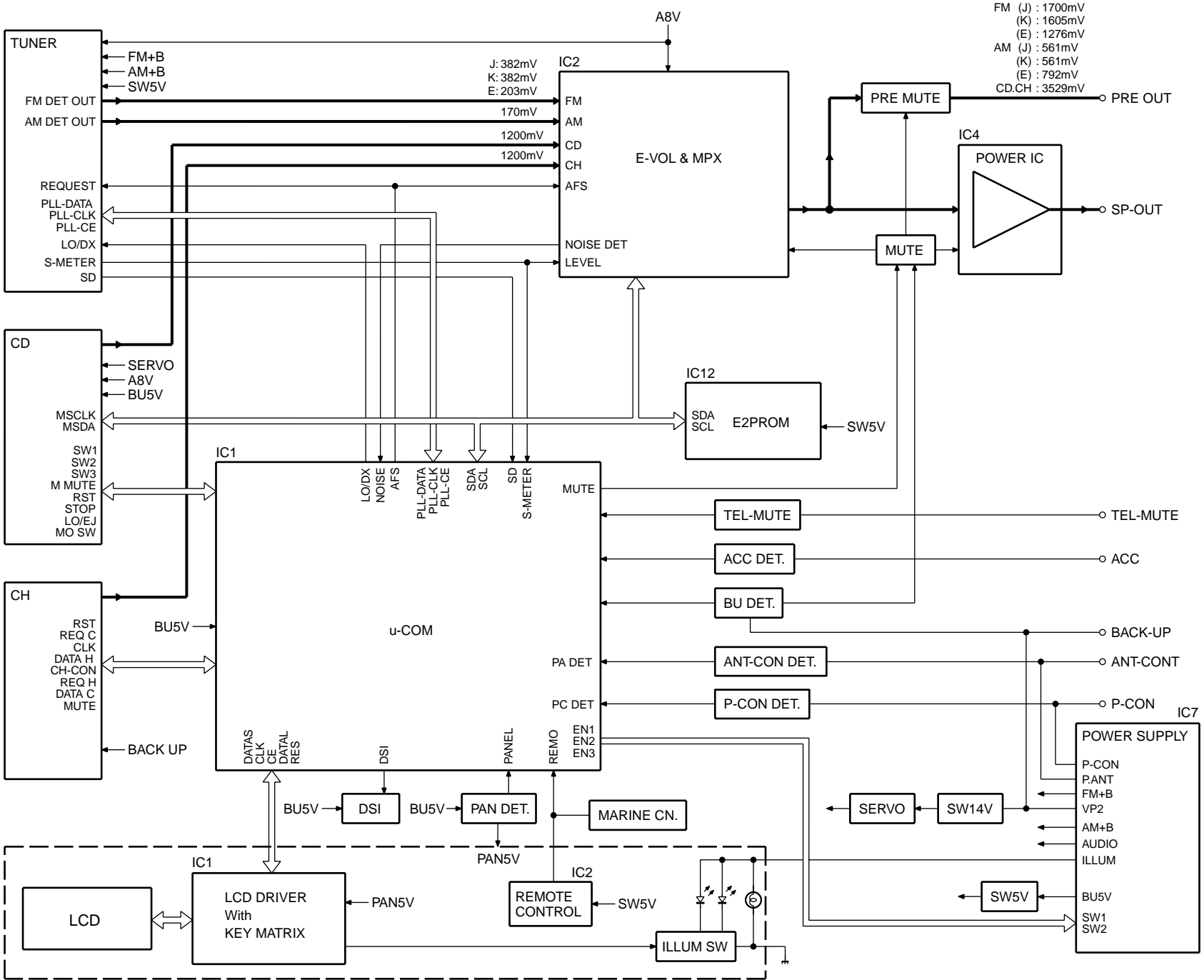
The CD mechanism information is not in this service manual.
Please, refer to service manual X92-4030-0x (B51-7867-00).

CD mechanism extension cord : W05-0618-00



KDC-2021SA/SG

BLOCK DIAGRAM



MICROCOMPUTER'S TERMINAL DESCRIPTION

SYSTEM MICROCOMPUTER uPD780058GC-XXX (IC1:X25)

Pin No.	Pin Name	I/O	Purpose	Processing in STBY Mode
1	PANEL	I	Panel detection	Hi-Z
2	8EJE SW *1	I	8 cm disk eject end detection switch	L, L when the 8 cm CD compatibility is not provided.
3	NC	O	Not used	L
4	AVss	-	GND potential (for A/D and D/A)	-
5	L-RST	O	LCD driver reset	H, L when the panel is detached or with 7-segment output.
6	L-CE	O	LCD driver chip enable	L, L is output when the panel is detached.
7	AVREF1	I	5V power supply (D/A converter reference voltage)	-
8	NC	I	Not used	Hi-Z
9	PLL-DATA	I/O	F/E (IC3) communication data	L
10	PLL-CLK	O	F/R (IC3) communication clock	L
11	L-DATAL	I	LCD driver communication data (LCD)	Hi-Z
12	L-DATAS	O	LCD driver communication data (SYSTEM)	L, L is output when the panel is detached.
13	L-CLK	O	LCD driver communication clock	H, L is output when the panel is detached.
14	R-DATA	I	RDS DATA	Hi-Z, L when RDS is not available.
15	R-QUAL	I	RDS QUAL	Hi-Z, L when RDS is not available.
16	CH-DATAC	I	5-wire communication data (CH)	Hi-Z, L when CH is not available.
17	CH-DATAH	O	5-wire communication data (HEAD)	L, L when CH is not available.
18	CH-CLK	I/O	5-wire communication clock	Hi-Z, L when CH is not available.
19	CH-REQH	O	5-wire CH request (HEAD)	H, L when CH is not available.
20	PLL-CE	O	F/E chip enable	L
21	AFS	O	Noise detection time constant switching	L
22	LO/DX	O	Local seek switching	L
23~26	NC	O	Not used	L
27	SD	I	Station detection	Hi-Z
28	CH-CONT	O	5-wire communication CH ON output	L, L when CH is not available.
29	TYPE REF	O	Destination type and servicing setting 5V output	L
30	TYPE2	I	Destination type setting	Hi-Z
31	TYPE1	I	Destination type setting	Hi-Z
32	TYPE0	I	Destination type setting	Hi-Z
33	Vss1	-	GND potential (for other parts than ports and analog circuitry)	-
34	IC2TYPE1	I	Servicing pin (SEL1), normally "L"	Hi-Z
35	IC2TYPE0	I	Servicing pin (SEL0), normally "L"	Hi-Z
36	DATA	I/O	IC2, CD mechanism and F/E communication data	L
37	CLK	O	IC2, CD mechanism and F/E communication clock	L
38	MUTE	O	Muting control output	L, 15 sec. after power OFF.
39	P-MUTE	O	PWR IC muting output	H, 15 sec. after power OFF.
40	SVR	O	SVR control output	L
41	P-STBY	O	PWR IC standby output	L
42	SW5V	O	SW5 control output	"H" in 10 sec. after power OFF.
43	B.U-DET	I	B.U. detection	Hi-Z
44	ACC-DET	I	ACC detection	Hi-Z
45,46	NC	O	Not used	L
47~49	PS1-0~PS1-2	O	Power supply IC AUD/P.CON/P.ANT SW	L
50	BEEP	O	Buzzer output	L
51,52	PS2-0,PS2-1	O	Power supply IC ILL/AM/FM SW	L
53	DSI	O	DSI control output	L, H/L when panel is detached. FIX output is L.

KDC-2021SA/SG

MICROCOMPUTER'S TERMINAL DESCRIPTION / ADJUSTMENT

Pin No.	Pin Name	I/O	Purpose	Processing in STBY Mode
54	LOE/LIM SW	I	CD mechanism Down & Limit detection	Hi-Z
55	MOSW	O	CD mechanism motor switching	L
56	LO/EJ	I/O	Lo/Ej switching	Hi-Z
57	M-STOP	O	Mechanism COM stop output	L
58	M-RST	O	Mechanism COM reset output	H
59	M-MUTE	I	Mechanism COM mute input	Hi-Z
60	RESET	I	System reset input	Hi-Z
61	REMO	I	Remote control input	Hi-Z
62	R-CLK	I	RDS CLOCK	Hi-Z, L when RDS is not available.
63	CH-REQC	I	5-wire CH request (CH)	Hi-Z, L when CH is not available.
64	LOS SW	I	Loading SW detection	Hi-Z
65	KEY-REQ	I	Key input detection	Hi-Z
66	12EJE SW	I	12 cm disc detection	Hi-Z
67	Vss0	-	GND potential (for ports)	-
68	VDD1	-	Positive power supply (for other parts than ports and analog circuitry)	-
69	X2	-	Main system clock oscillation	-
70	X1	I	Main system clock oscillation	-
71	IC	-	Flash uCOM write	-
72	XT2	-	Not used	-
73	XT1	-	Not used (Connected to 5V power supply)	-
74	VDD0	-	Positive power supply (for ports)	-
75	AVREF0	I	5V power supply (A/D converter reference voltage)	-
76	S-METER	I	S-meter input	Hi-Z
77	PHONE	I	Navigation muting 2.5V or more, Telephone muting 1V or less.	Hi-Z, L when TEL is not available.
78	NOISE	I	FM noise detection	Hi-Z, L when RDS is not available.
79	NC	O	Not used	L
80	AVCONT	O	A/D reference voltage control	L

ADJUSTMENT

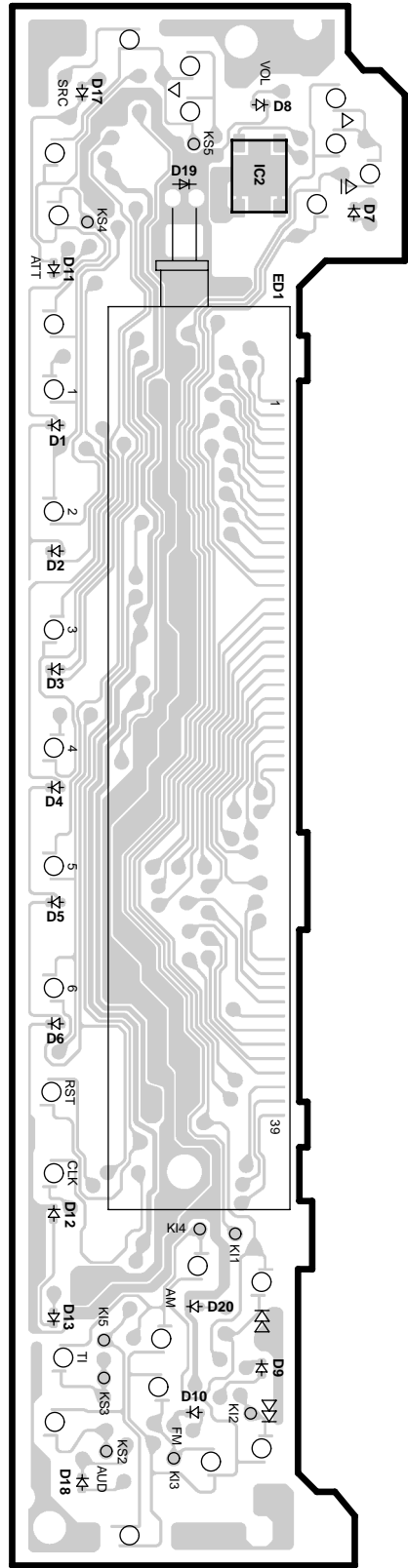
No.	ITEM	INPUT SETTINGS	TUNER (RECEIVER) SETTINGS	ALIGNMENT POINTS	ALIGN FOR
FM SECTION					
1	SD	98.1MHz 0 dev 35dB μ (ANT input)	TEST MODE : ON FM 98.1MHz	Preset "1" key, and preset "6" key	While holding preset "1" key, press and hold preset "6" key for a few seconds. "1111" is good. "0000" is not good.
AM SECTION					
(1)	SD	990kHz 0% mod 35dB μ (ANT input)	TEST MODE : ON AM 990kHz	Preset "1" key, and preset "6" key	While holding preset "1" key, press and hold preset "6" key for a few seconds. "1111" is good. "0000" is not good.

TEST MODE : ON While holding the FM key and preset "6" key, reset the unit.

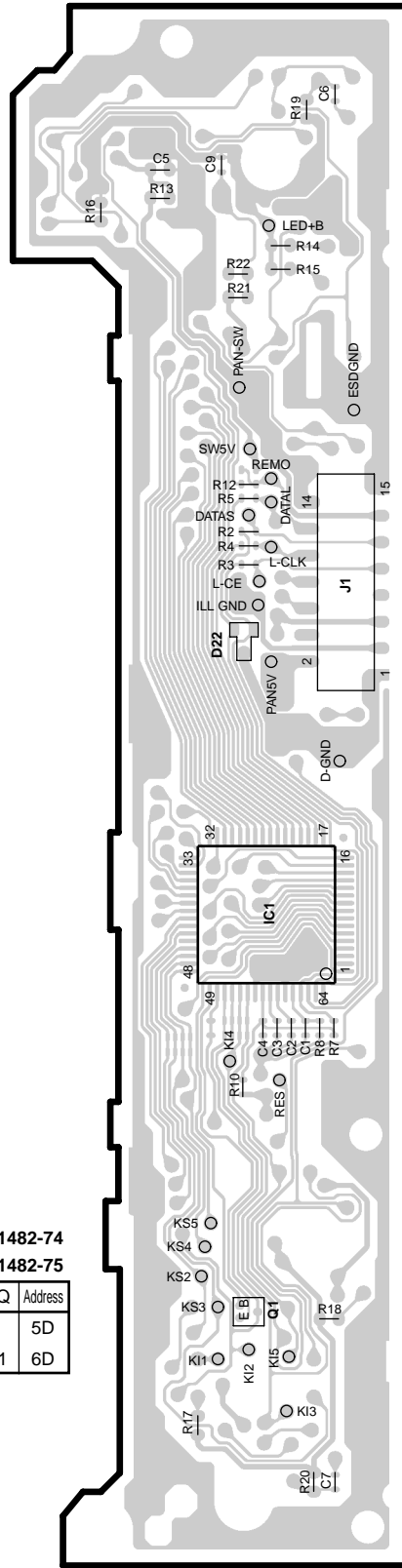
TEST MODE : OFF Reset the unit.

PC BOARD (COMPONENT SIDE VIEW) (FOIL SIDE VIEW)

X16-1460-xx/
X16-1482-7x (J74-1285-12)



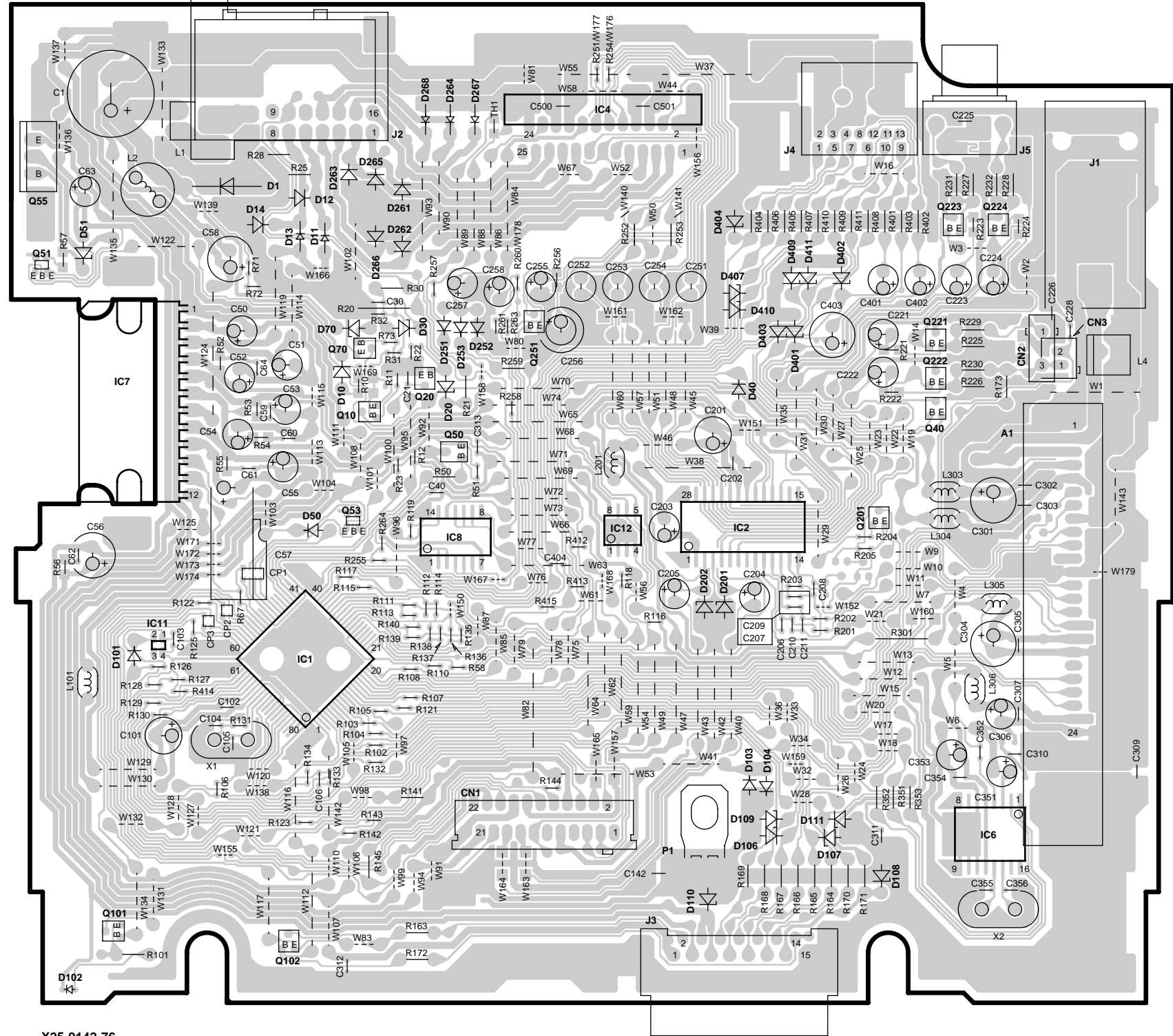
X16-1460-xx/
X16-1482-7x (J74-1285-12)



X16-1482-74
X16-1482-75

IC	Q	Address
1	5D	
1	6D	

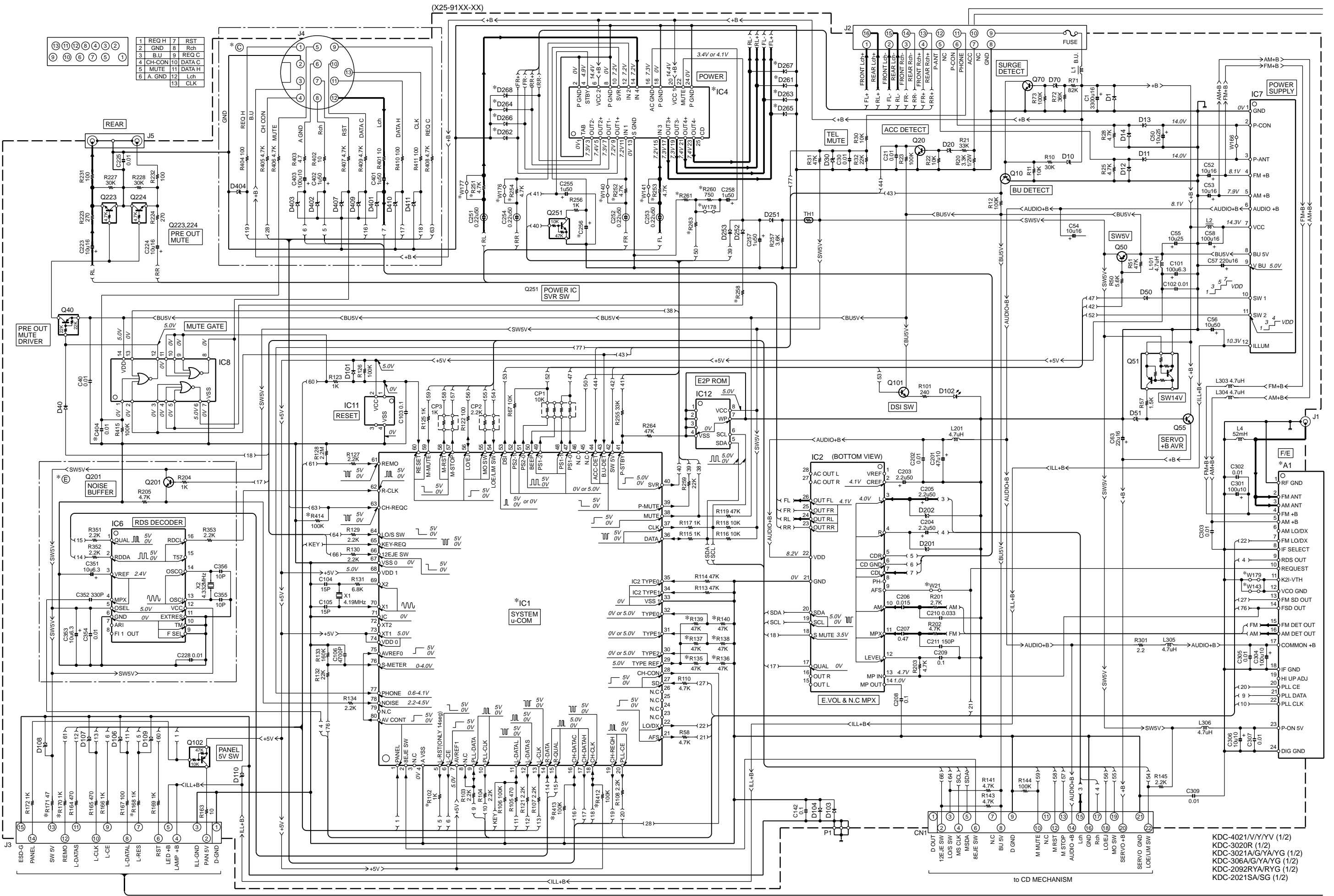
X25-9142-7x (J74-1368-12)
X25-9120-xx/913x-xx (J74-1290-12)



X25-9142-76

IC	Q	Address	IC	Q	Address	IC	Q	Address	IC	Q	Address
1	5F	11	5E	50	4G	102	6F				
2	4H	12	4H	51	3E	223	2I				
4	2H	10	3F	55	2E	224	2I				
7	3E	20	3G	70	3F	251	3G				
8	4G	40	3I	101	6E						

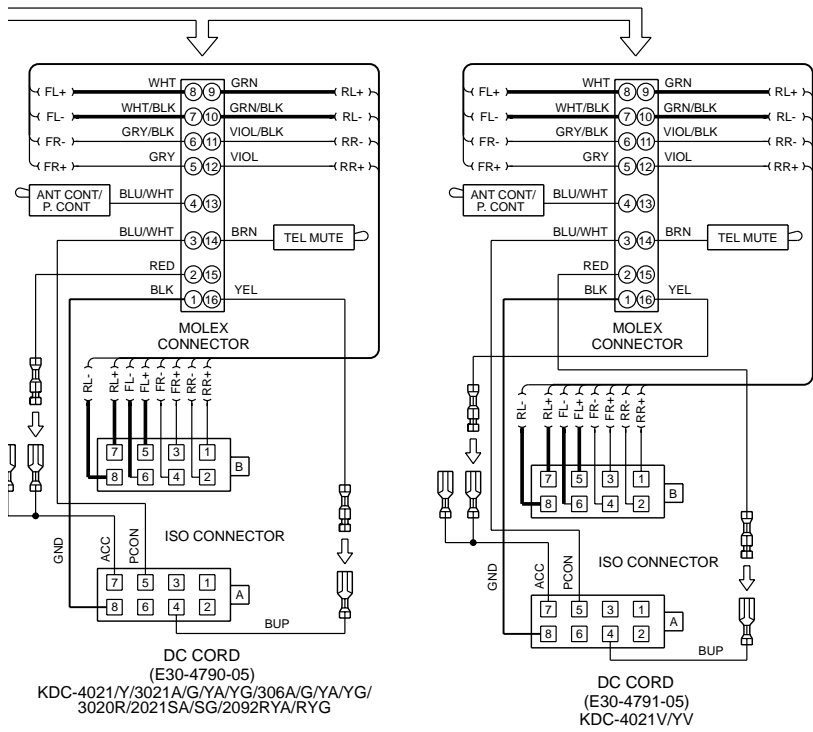
Refer to the schematic diagram for the values of resistors and capacitors.



1	REQ H	7	RST
2	GND	8	Rch
3	B.U	9	REQ C
4	CH-CON	10	DATA C
5	MUTE	11	DATA H
6	A. GND	12	Lch
		13	CLK

- KDC-4021V/Y/V (1/2)
- KDC-3020R (1/2)
- KDC-3021A/G/Y/YG (1/2)
- KDC-306A/G/Y/YG (1/2)
- KDC-2092RYA/YRG (1/2)
- KDC-2021SA/SG (1/2)

to CD MECHANISM



(X25-91XX-XX)												
MODEL NAME	UNIT No.	Ⓒ	Ⓔ	C256	C404	D261-268	IC1 (UPD780058GCXXX)	IC4	J3	R102, 168	R135	R136
KDC-4021 (E)	42-70	YES	YES	33u50	YES	YES	427	TDA7560	E58-0879	YES	NO	YES
KDC-4021Y (E)	32-70	YES	YES	33u50	YES	YES	427	TDA7560	E58-0879	YES	YES	NO
KDC-4021V (E)	42-71	YES	YES	33u50	YES	YES	427	TDA7560	E58-0879	YES	YES	NO
KDC-4021YV (E)	32-71	YES	YES	33u50	YES	YES	427	TDA7560	E58-0879	YES	YES	NO
KDC-3020R (M)	30-21	YES	YES	33u50	YES	YES	427	TDA7560	E58-0879	YES	NO	YES
KDC-3021A (E)	42-72	NO	YES	33u50	NO	YES	427	TDA7560	E58-0879	YES	YES	NO
KDC-306A (E)	42-74	NO	YES	33u50	NO	YES	427	TDA7560	E58-0879	YES	YES	NO
KDC-3021YA (E)	42-71	NO	YES	33u50	NO	YES	427	TDA7560	E58-0879	YES	YES	NO
KDC-306YA (E)	32-72	NO	YES	33u50	NO	YES	427	TDA7560	E58-0879	YES	NO	YES
KDC-3021G (E)	42-73	NO	YES	33u50	NO	YES	427	TDA7560	E58-0879	YES	NO	YES
KDC-306G (E)	42-75	NO	YES	33u50	NO	YES	427	TDA7560	E58-0879	YES	NO	YES
KDC-3021YG (E)	32-73	NO	YES	33u50	NO	YES	427	TDA7560	E58-0879	YES	NO	YES
KDC-306YG (E)	42-76	NO	YES	33u50	NO	YES	427	TDA7560	E58-0879	YES	NO	YES
KDC-2092RYA (E)	32-74	NO	YES	33u50	NO	YES	428	TDA7560	E58-0879	YES	YES	NO
KDC-2092RYG (E)	32-75	NO	YES	33u50	NO	YES	428	TDA7560	E58-0879	YES	NO	YES
KDC-2021SA (E)	42-76	NO	NO	100u50	NO	NO	429	TDA7386	E58-0879	NO	NO	YES
KDC-2021SG (E)	42-77	NO	NO	100u50	NO	NO	429	TDA7386	E58-0879	NO	NO	YES

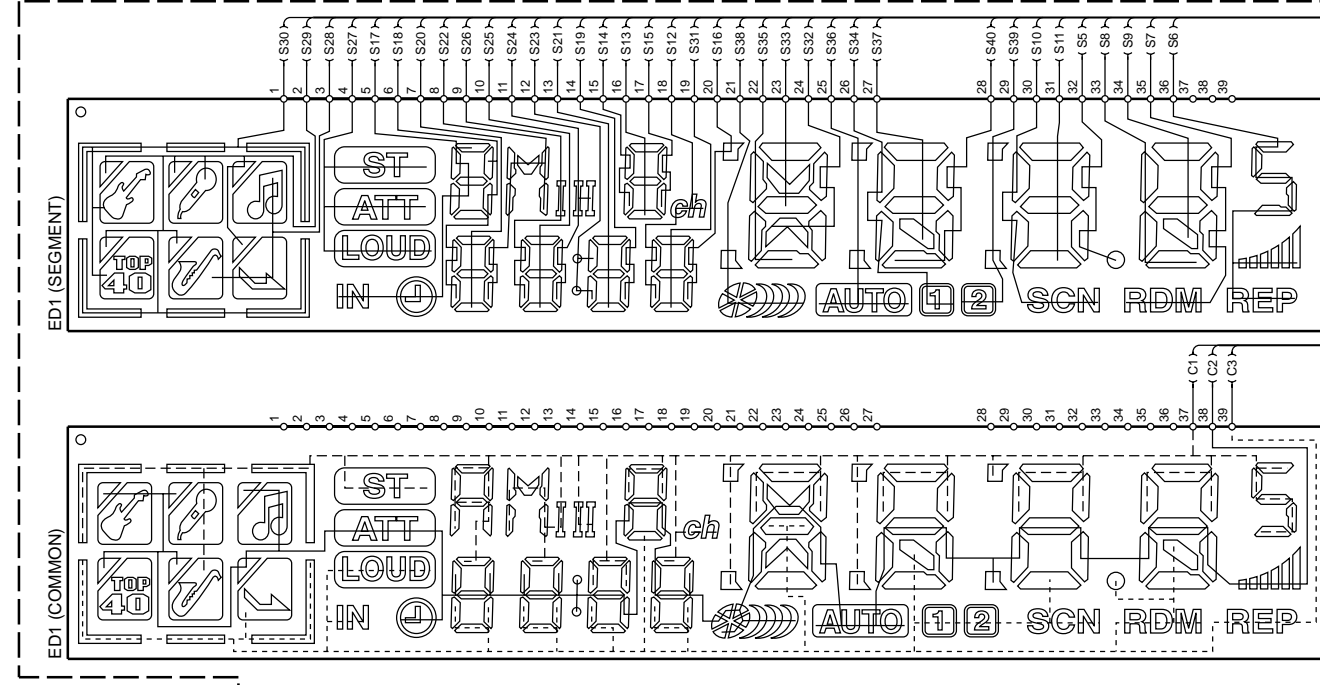
UNIT No.	R137	R138	R139,170,171,412-414	R140	R251-254,260	R258	R261	R263	W21,140,141,176-178	W143	W179	A1 (F/E)
42-70	NO	YES	YES	NO	NO	220	10	4.3K	YES	NO	YES	X86-3512-70
32-70	NO	YES	YES	NO	NO	220	10	4.3K	YES	NO	YES	X86-3512-70
42-71	NO	YES	YES	NO	NO	220	10	4.3K	YES	NO	YES	X86-3512-70
32-71	NO	YES	YES	NO	NO	220	10	4.3K	YES	NO	YES	X86-3512-70
30-21	YES	NO	YES	NO	NO	220	10	4.3K	YES	NO	YES	X86-3512-70
42-72	NO	YES	NO	YES	NO	220	10	4.3K	YES	NO	YES	X86-3512-70
42-74	NO	YES	NO	YES	NO	220	10	4.3K	YES	NO	YES	X86-3512-70
32-72	NO	YES	NO	YES	NO	220	10	4.3K	YES	NO	YES	X86-3512-70
42-73	NO	YES	NO	YES	NO	220	10	4.3K	YES	NO	YES	X86-3512-70
42-75	NO	YES	NO	YES	NO	220	10	4.3K	YES	NO	YES	X86-3512-70
32-73	NO	YES	NO	YES	NO	220	10	4.3K	YES	NO	YES	X86-3512-70
32-74	NO	YES	NO	YES	NO	220	10	4.3K	YES	YES	NO	X86-3512-72
32-75	NO	YES	NO	YES	NO	220	10	4.3K	YES	YES	NO	X86-3512-72
42-76	NO	YES	NO	YES	YES	100	430	180K	NO	NO	YES	X86-3522-71

IC1	: *	D1	: 1N5393G-M6
IC2	: TDA7407D	D10,20,70,201,202,401,402	
IC4	: *	D11,13,264,267,268	: MA4068(N)-M
IC6	: TDA7479D	D12,14,261-263,265,266	: D1F60
IC7	: BA4911-V4		
IC8	: HD74HC27FP		
IC11	: S-80835ANNP		
IC12	: BR24C01AF		
Q10,20,70,201	: 2SC4081 or 2SD1819A	D30	: MA4047-M or HZS5B1
Q40	: DTA114EUA or UN5112	D40,50,101,103,104,251-253	: 1SS133
Q50	: 2SA1036K	D51	: MA4082(N)-L or HZS9A1L
Q51	: 2SD2375 or 2SD2396	D102	: B30-1567-05
Q55	: DTA114YUA or UN5114	D106-109,403,404,407,409-411	: MA4062-L
Q102	: DTC143TUA or UN5216	D110	: HZS12A2
Q223,224	: DTC114YUA or UN5214		
Q251			

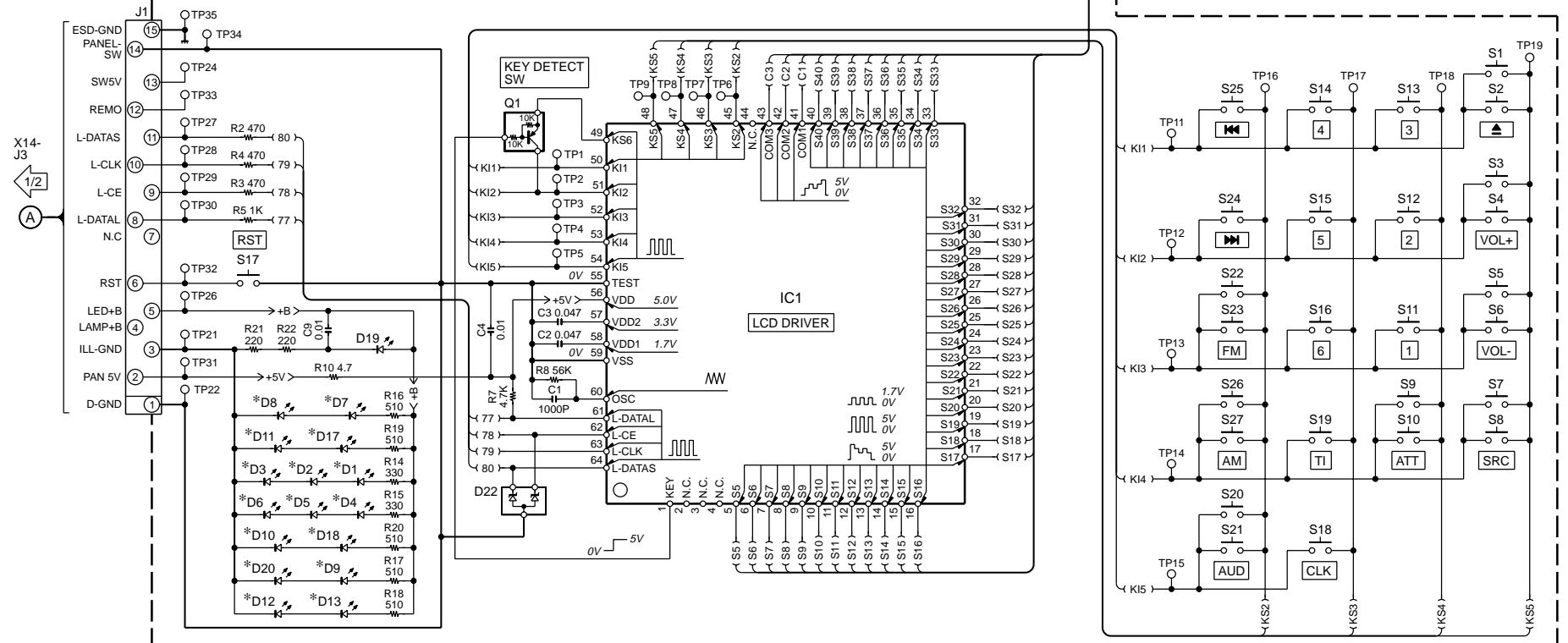
— SIGNAL LINE
—<+B— +B LINE

X13-J1
2/2
A

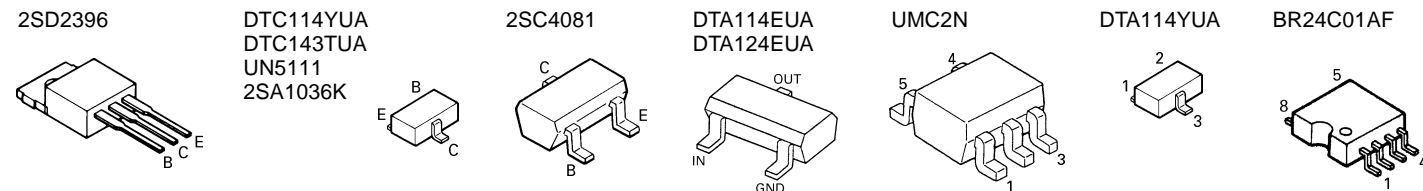
SWITCH UNIT (X16-1482-7X)



IC1	: LC75853NE		
IC2	: RS-171		
Q1	: DTA114EUA		
D1-13,17,18,20	: *	(X16-1482-7X)	
D19	: B30-1633-05	MODEL NAME	UNIT No.
D22	: MA3062WA	KDC-2021SA (E)	2-74
		KDC-2021SG (E)	2-75
			D1-13, 17,18,20
			B30-1567-05 (RED)
			B30-1533-05 (GREEN)



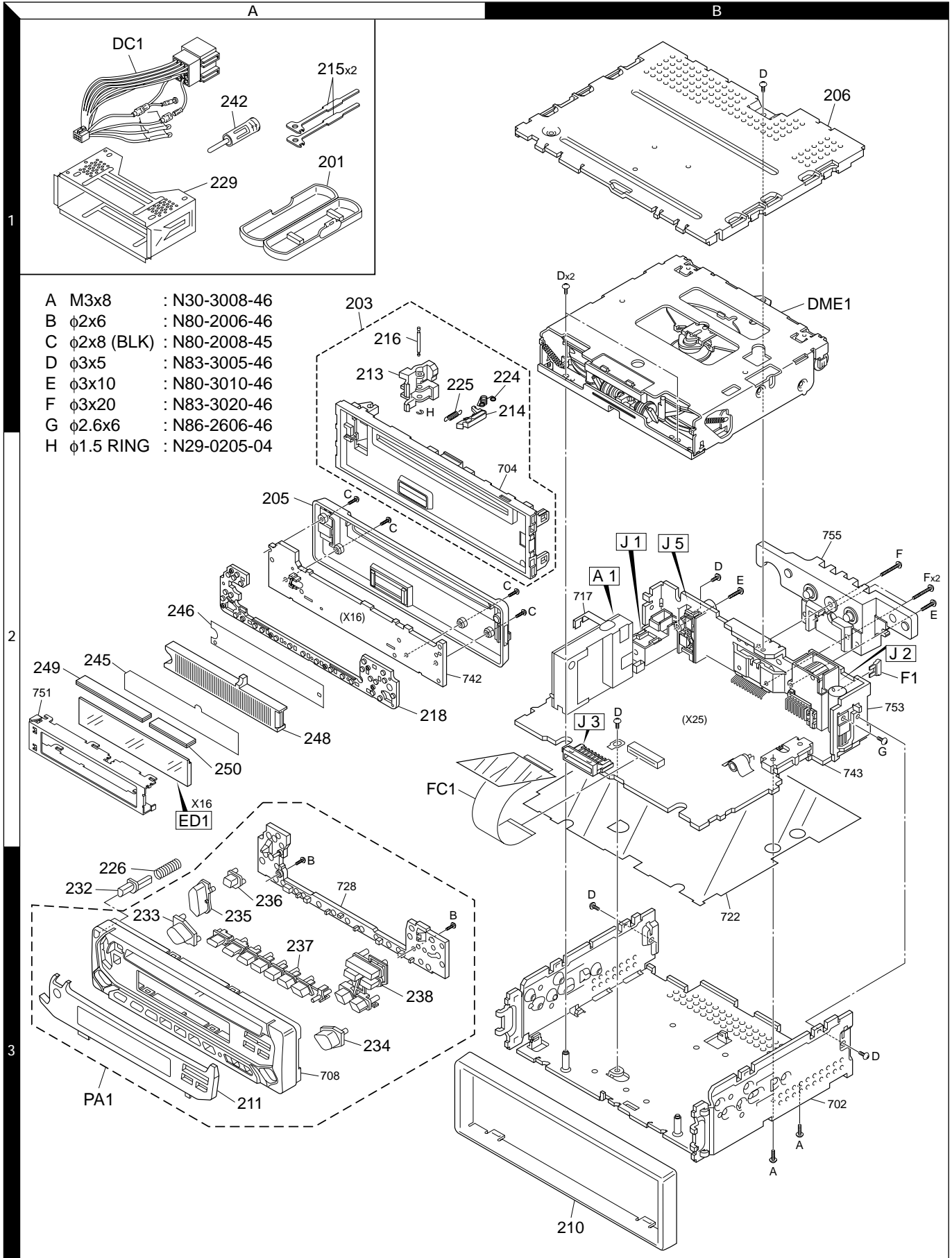
KDC-2021SA/SG (2/2)



CAUTION : For continued safety, replace safety critical components only with manufacturer's recommended parts (refer to parts list).
 ⚠ Indicates safety critical components. To reduce the risk of electric shock, leakage-current or resistance measurements shall be carried out (exposed parts are acceptably insulated from the supply circuit) before the appliance is returned to the customer.
 • DC voltages are as measured with a high impedance voltmeter. Values may vary slightly due to variations between individual instruments or/and units.

KDC-2021SA/SG

EXPLODED VIEW



Parts with the exploded numbers larger than 700 are not supplied.

KDC-2021SA/SG

PARTS LIST

* New parts

Parts without **Parts No.** are not supplied.

Les articles non mentionnes dans le **Parts No.** ne sont pas fournis.

Teile ohne **Parts No.** werden nicht geliefert.

Ref. No.	A d d	N e w	Parts No.	Description	Desti- nation
KDC-2021SA/2021SG					
201	1A		A02-1486-13	PLASTIC CABINET ASSY	
203	1A		A22-2863-03	SUB PANEL ASSY	
205	2A	*	A46-1750-01	REAR COVER	
206	1B	*	A52-0804-02	TOP PLATE	
PA1	3A	*	A64-2564-02	PANEL ASSY	
210	3B		B07-3054-02	ESCUTCHEON	
211	3A	*	B10-4141-01	FRONT GLASS	
-			B46-0100-50	WARRANTY CARD	
-			B46-0606-04	ID CARD	
-			B58-1365-04	CAUTION CARD	
-		*	B64-2112-00	INSTRUCTION MANUAL (ENGLISH)	
-		*	B64-2231-00	INSTRUC. MANUAL (DUT.SPA.POR.)	
-		*	B64-2232-00	INSTRUCTION MANUAL (SWE.FIN.)	
213	1A		D10-4446-03	LEVER	
214	2A		D10-4447-03	LEVER	
215	1A		D10-4589-04	LEVER	
216	1A		D21-2329-04	SHAFT	
218	2A	*	E29-1872-02	CONDUCTIVE RUBBER	
△ DC1	1A		E30-4790-05	DC CORD	
FC1	2A		E39-0343-05	FLAT CABLE	
△ F1	2B		F52-0006-05	FUSE (MINI BLADE TYPE)	
224	1A	*	G01-2987-04	TORSION COIL SPRING	
225	1A	*	G01-3096-04	EXTENSION SPRING	
226	3A	*	G01-3149-04	COMPRESSION SPRING	
-		*	H10-4800-02	POLYSTYRENE FOAMED FIXTURE	
-		*	H25-0337-04	PROTECTION BAG (180X300X0.03)	
-		*	H25-1111-04	PROTECTION BAG (280X450X0.03)	
-		*	H54-2283-03	ITEM CARTON CASE	E6
-		*	H54-2284-03	ITEM CARTON CASE	E7
229	1A		J21-9641-13	MOUNTING HARDWARE ASSY	
232	3A	*	K24-3822-04	KNOB (RELEASE)	
233	3A	*	K24-3823-04	KNOB (SRC)	
234	3A	*	K24-3824-04	KNOB (AUD)	
235	3A	*	K24-3825-03	KNOB (VOL)	
236	3A	*	K24-3826-04	KNOB (EJECT)	
237	3A	*	K25-1396-03	KNOB (PRE1-6,ATT,RESET)	
238	3A	*	K25-1397-03	KNOB (AUTO,CLK,FM,AM)	
A	3B		N30-3008-46	PAN HEAD MACHINE SCREW	
B	3A		N80-2006-46	PAN HEAD TAPTITE SCREW	
C	2A		N80-2008-45	PAN HEAD TAPTITE SCREW	
D	1B		N83-3005-46	PAN HEAD TAPTITE SCREW	
H	1A		N29-0205-04	RETAINING RING (1.5)	
242	1A		T90-0523-05	ANTENNA ADAPTOR	
DME1	1B	*	X92-4030-01	MECHANISM ASSY	
SWITCH UNIT (X16-1482-74/75)					
245	2A	*	B11-1358-04	OPTICAL DIFFUSER	
246	2A	*	B11-1359-04	REFLECTION SHEET	
248	2A	*	B19-2130-03	LIGHTING BOARD	
D1-13			B30-1533-05	LED (1608,PG)	E7

Ref. No.	A d d	N e w	Parts No.	Description	Desti- nation
D1-13			B30-1567-05	LED (1608,RED)	E6
D17,18			B30-1533-05	LED (1608,PG)	E7
D17,18			B30-1567-05	LED (1608,RED)	E6
D19			B30-1633-05	LED (WHITE)	
D20			B30-1533-05	LED (1608,PG)	E7
D20			B30-1567-05	LED (1608,RED)	E6
ED1		*	B38-1080-05	LIQUID CRYSTAL	
C1			CK73GB1H102K	CHIP C 1000PF K	
C2,3			CK73GB1E473K	CHIP C 0.047UF K	
C2,3			CK73GB1H473K	CHIP C 0.047UF K	
C4			CK73GB1H103K	CHIP C 0.010UF K	
C9			CK73GB1H103K	CHIP C 0.010UF K	
249	2A		E29-1829-04	CONDUCTIVE RUBBER	
250	2A		E29-1834-04	CONDUCTIVE RUBBER	
J1			E59-0828-05	RECTANGULAR PLUG	
-			J19-5130-04	HOLDER (LED)	
R2-4			RK73GB2A471J	CHIP R 470 J 1/10W	
R5			RK73GB2A102J	CHIP R 1.0K J 1/10W	
R7			RK73GB2A472J	CHIP R 4.7K J 1/10W	
R8			RK73GB2A563J	CHIP R 56K J 1/10W	
R10			RK73GB2A4R7J	CHIP R 4.7 J 1/10W	
R14,15			RK73FB2B331J	CHIP R 330 J 1/8W	
R16-20			RK73FB2B511J	CHIP R 510 J 1/8W	
R21,22			RK73FB2B221J	CHIP R 220 J 1/8W	
D22			MA3062WA	ZENER DIODE	
IC1			LC75853NE	MOS-IC	
Q1			DTA114EUA	DIGITAL TRANSISTOR	
Q1			UN5111	DIGITAL TRANSISTOR	
ELECTRIC UNIT (X25-9142-76)					
D102			B30-1567-05	LED (1608,RED)	
C1			C90-5242-05	ELECTRO 3300UF 16WV	
C21			CK73GB1H103K	CHIP C 0.010UFK	
C30			CK73GB1H103K	CHIP C 0.010UFK	
C40			CK73GB1H103K	CHIP C 0.010UFK	
C50			CE04NW1E100M	ELECTRO 10UF 25WV	
C52-54			CE04NW1C100M	ELECTRO 10UF 16WV	
C55			CE04NW1E100M	ELECTRO 10UF 25WV	
C56			CE04CW1H100M	ELECTRO 10UF 50WV	
C57			C90-2980-05	ELECTRO 220UF 16WV	
C58			C90-2962-05	ELECTRO 100UF 16WV	
C63			CE04NW1C220M	ELECTRO 22UF 16WV	
C101			CE04NW0J101M	ELECTRO 100UF 6.3WV	
C102			CK73GB1H103K	CHIP C 0.010UFK	
C103			CK73GB1C104K	CHIP C 0.10UF K	
C103			CK73GB1H104K	CHIP C 0.10UF K	
C104,105			CC73GCH1H150J	CHIP C 15PF J	
C106			CK73GB1H472K	CHIP C 4700PF K	
C142			CK73GB1C104K	CHIP C 0.10UF K	
C142			CK73GB1H104K	CHIP C 0.10UF K	
C201			CE04NW1A470M	ELECTRO 47UF 10WV	
C202			CK73GB1H103K	CHIP C 0.010UFK	
C203-205			CE04NW1H2R2M	ELECTRO 2.2UF 50WV	

E : Europe K : North America M : Other Areas E6 : KDC-2021SA
W : Without Europe E7 : KDC-2021SG

△ Indicates safety critical components.

PARTS LIST

* New parts

Parts without **Parts No.** are not supplied.

Les articles non mentionnés dans le **Parts No.** ne sont pas fournis.

Teile ohne **Parts No.** werden nicht geliefert.

ELECTRIC UNIT (X25-9142-76)

Ref. No.	Add	New	Parts No.	Description	Destination	Ref. No.	Add	New	Parts No.	Description	Destination
C206			CK73GB1H153K	CHIP C 0.015UF K		R71		*	RK73GB2A823J	CHIP R 82K J 1/10W	
C207			CK73GB1A474K	CHIP C 0.47UF K		R72		*	RK73GB2A363J	CHIP R 36K J 1/10W	
C208,209			CK73GB1C104K	CHIP C 0.10UF K		R73			RK73GB2A104J	CHIP R 100K J 1/10W	
C208,209			CK73GB1H104K	CHIP C 0.10UF K		R103,104			RK73GB2A222J	CHIP R 2.2K J 1/10W	
C210			CK73GB1E333K	CHIP C 0.033UF K		R105			RK73GB2A471J	CHIP R 470 J 1/10W	
C210			CK73GB1H333K	CHIP C 0.033UF K		R106			RK73GB2A104J	CHIP R 100K J 1/10W	
C211			CC73GCH1H151J	CHIP C 150PF J		R107,108			RK73GB2A222J	CHIP R 2.2K J 1/10W	
C223,224			C90-2597-05	ELECTRO 10UF 16WV		R110			RK73GB2A472J	CHIP R 4.7K J 1/10W	
C225			CK73GB1H103K	CHIP C 0.010UF K		R113,114			RK73GB2A473J	CHIP R 47K J 1/10W	
C228			CK73GB1H103K	CHIP C 0.010UF K		R115			RK73GB2A102J	CHIP R 1.0K J 1/10W	
C251-254			C90-5296-05	NP-ELECT 0.22UF 50WV		R116			RK73GB2A103J	CHIP R 10K J 1/10W	
C255			CE04NW1H010M	ELECTRO 1.0UF 50WV		R117			RK73GB2A102J	CHIP R 1.0K J 1/10W	
C256			CE04CW1A101M	ELECTRO 100UF 10WV		R118			RK73GB2A103J	CHIP R 10K J 1/10W	
C257			CE04NW1H010M	ELECTRO 1.0UF 50WV		R119			RK73GB2A473J	CHIP R 47K J 1/10W	
C258			C90-2935-05	ELECTRO 1.0UF 50WV		R121			RK73GB2A222J	CHIP R 2.2K J 1/10W	
C301			CE04NW1A101M	ELECTRO 100UF 10WV		R122			RK73GB2A101J	CHIP R 100 J 1/10W	
C302,303			CK73GB1H103K	CHIP C 0.010UF K		R123			RK73GB2A102J	CHIP R 1.0K J 1/10W	
C304			CE04CW1A101M	ELECTRO 100UF 10WV		R125			RK73GB2A102J	CHIP R 1.0K J 1/10W	
C305			CK73GB1H103K	CHIP C 0.010UF K		R126			RK73GB2A104J	CHIP R 100K J 1/10W	
C306			C90-2594-05	ELECTRO 10UF 10WV		R127			RK73GB2A222J	CHIP R 2.2K J 1/10W	
C307			CK73GB1H103K	CHIP C 0.010UF K		R128			RK73GB2A225J	CHIP R 2.2M J 1/10W	
C309			CK73GB1H103K	CHIP C 0.010UF K		R129,130			RK73GB2A222J	CHIP R 2.2K J 1/10W	
CN1			E40-9550-05	FLAT CABLE CONNECTOR		R131			RK73GB2A682J	CHIP R 6.8K J 1/10W	
J1			E04-0312-05	RF COAXIAL CABLE RECEPTACLE		R132			RK73GB2A223J	CHIP R 22K J 1/10W	
J2			E58-0863-15	RECTANGULAR RECEPTACLE		R133			RK73GB2A164J	CHIP R 160K J 1/10W	
J3			E58-0879-05	RECTANGULAR RECEPTACLE		R136			RK73GB2A473J	CHIP R 47K J 1/10W	
J5			E63-0852-05	PIN JACK		R138			RK73GB2A473J	CHIP R 47K J 1/10W	
L1			L33-1170-05	CHOKE COIL ASSY		R140			RK73GB2A473J	CHIP R 47K J 1/10W	
L2			L33-1807-05	CHOKE COIL		R143			RK73GB2A472J	CHIP R 4.7K J 1/10W	
L4			L33-1123-05	LINE FILTER COIL		R144			RK73GB2A104J	CHIP R 100K J 1/10W	
L101			L40-4795-91	SMALL FIXED INDUCTOR (4.7UH,J)		R201			RK73GB2A272J	CHIP R 2.7K J 1/10W	
L201			L40-4795-91	SMALL FIXED INDUCTOR (4.7UH,J)		R202,203			RK73GB2A472J	CHIP R 4.7K J 1/10W	
L303-306			L40-4795-91	SMALL FIXED INDUCTOR (4.7UH,J)		R223,224			RK73FB2B271J	CHIP R 270 J 1/8W	
X1			L77-1167-05	CRYSTAL RESONATOR (4.19M)		R251			RK73GB2A472J	CHIP R 4.7K J 1/10W	
						R254			RK73GB2A472J	CHIP R 4.7K J 1/10W	
D	2B		N83-3005-46	PAN HEAD TAPTITE SCREW		R255			RK73GB2A333J	CHIP R 33K J 1/10W	
E	2B		N80-3010-46	PAN HEAD TAPTITE SCREW		R256			RK73FB2B102J	CHIP R 1.0K J 1/8W	
F	2B		N83-3020-46	PAN HEAD TAPTITE SCREW		R257			RK73GB2A362J	CHIP R 3.6K J 1/10W	
G	2B		N86-2606-46	BINDING HEAD TAPTITE SCREW		R258			RK73GB2A101J	CHIP R 100 J 1/10W	
						R260			RK73GB2A751J	CHIP R 750 J 1/10W	
CP1			R90-1056-05	MULTIPLE RESISTOR		R261			RK73GB2A431J	CHIP R 430 J 1/10W	
CP2			R90-1047-05	MULTIPLE RESISTOR		R263			RK73GB2A184J	CHIP R 180K J 1/10W	
CP3			R90-1046-05	MULTIPLE RESISTOR		R264			RK73GB2A473J	CHIP R 47K J 1/10W	
R10			RK73FB2B303J	CHIP R 30K J 1/8W		R415			RK73GB2A104J	CHIP R 100K J 1/10W	
R11			RK73GB2A103J	CHIP R 10K J 1/10W		W150			R92-1252-05	CHIP R 0 OHM J 1/16W	
R12			RK73GB2A104J	CHIP R 100K J 1/10W		W151			R92-2053-05	CHIP R 0 J 1/8W	
R20			RD14DB2H332J	SMALL-RD 3.3K J 1/2W		W152			R92-1252-05	CHIP R 0 OHM J 1/16W	
R22			RK73GB2A103J	CHIP R 10K J 1/10W		W155			R92-1252-05	CHIP R 0 OHM J 1/16W	
R23			RK73GB2A104J	CHIP R 100K J 1/10W		W156,157			R92-2053-05	CHIP R 0 J 1/8W	
R31			RK73GB2A473J	CHIP R 47K J 1/10W		W158,159			R92-1252-05	CHIP R 0 OHM J 1/16W	
R32			RK73GB2A223J	CHIP R 22K J 1/10W		W160-165			R92-2053-05	CHIP R 0 J 1/8W	
R51		*	RK73GB2A473J	CHIP R 47K J 1/10W		W166-169			R92-1252-05	CHIP R 0 OHM J 1/16W	
R57			RK73FB2B152J	CHIP R 1.5K J 1/8W		W171-174			R92-1252-05	CHIP R 0 OHM J 1/16W	
R58			RK73GB2A472J	CHIP R 4.7K J 1/10W		W179			R92-2052-05	CHIP R 0 OHM J 1/10W	
R67			RK73GB2A103J	CHIP R 10K J 1/10W							

E : Europe K : North America M : Other Areas
W : Without Europe

E6 : KDC-2021SA
E7 : KDC-2021SG

△ Indicates safety critical components.

KDC-2021SA/SG

PARTS LIST

* New parts

Parts without **Parts No.** are not supplied.

Les articles non mentionnés dans le **Parts No.** ne sont pas fournis.

Teile ohne **Parts No.** werden nicht geliefert.

ELECTRIC UNIT (X25-9142-76)

Ref. No.	A d d	N e w	Parts No.	Description	Desti- nation	Ref. No.	A d d	N e w	Parts No.	Description	Desti- nation
D1			S2V20*A	DIODE							
D1			1N5393G-M6	DIODE							
D10			MA4068(N)-M	ZENER DIODE							
D11			D1F60	DIODE							
D12			AM01Z	DIODE							
D12			DSM1SD2	DIODE							
D12			ERA15-02	DIODE							
D13			D1F60	DIODE							
D14			AM01Z	DIODE							
D14			DSM1SD2	DIODE							
D14			ERA15-02	DIODE							
D20			MA4068(N)-M	ZENER DIODE							
D30			MA4047-M	ZENER DIODE							
D40			1SS133	DIODE							
D50			1SS133	DIODE							
D51			MA4082(N)-L	ZENER DIODE							
D70			MA4068(N)-M	ZENER DIODE							
D101			1SS133	DIODE							
D103,104			1SS133	DIODE							
D106-108			MA4062-L	ZENER DIODE							
D110		*	HZS12A2	ZENER DIODE							
D201,202			MA4068(N)-M	ZENER DIODE							
D251-253			1SS133	DIODE							
IC1		*	UPD780058GC429	MI-COM IC							
IC2			TDA7407D	ANALOGUE IC							
IC4			TDA7386	ANALOGUE IC							
IC7			BA4911-V4	ANALOGUE IC							
IC8			HD74HC27FP	MOS-IC							
IC11			S-80835ANNP	MOS-IC							
IC12			BR24C01AF	MEMORY IC							
IC12			M24C01-WMN6T	MEMORY IC							
IC12			S-24C01B	MEMORY IC							
Q10			2SC4081	TRANSISTOR							
Q20			2SC4081	TRANSISTOR							
Q40			DTA124EUA	DIGITAL TRANSISTOR							
Q50			2SA1036K	TRANSISTOR							
Q51			UMC2N	TRANSISTOR							
Q55			2SD2375	TRANSISTOR							
Q55			2SD2396	TRANSISTOR							
Q70			2SC4081	TRANSISTOR							
Q101			2SC4081	TRANSISTOR							
Q102			DTA114YUA	DIGITAL TRANSISTOR							
Q223,224			DTC143TUA	DIGITAL TRANSISTOR							
Q251			DTC114YUA	DIGITAL TRANSISTOR							
TH1			PTH9C42BE471Q	POSITIVE RESISTOR							
A1			X86-3522-71	FRONT-END UNIT							

E : Europe K : North America M : Other Areas

E6 : KDC-2021SA

W : Without Europe

E7 : KDC-2021SG

△ Indicates safety critical components.

KDC-2021SA/SG

SPECIFICATIONS

KDC-2021SA/SG

FM

Frequency Range 87.5MHz~108.0MHz
Frequency step 50kHz
Usable Sensitivity (S/N 26dB) 0.7 μ V/75 Ω
Quieting Sensitivity (S/N 46dB) 1.6 μ V/75 Ω
Frequency Response (\pm 3.0dB) 30Hz~15kHz
S/N (dB) 65dB (MONO)
Selectivity (DIN) (dB) \geq 80dB (\pm 400kHz)
Stereo Separation 35dB (1kHz)

MW

Frequency Range (kHz) 531kHz~1611kHz
(Frequency step) (9kHz)
Usable Sensitivity (S/N 20dB) 25 μ V

LW

Frequency Range (kHz) 153kHz~281kHz
Usable Sensitivity (S/N 20dB) 45 μ V

CD

Laser Diode GaAlAs (λ =780nm)
Digital Filter (D/A) 8 times Over Sampling
D/A Converter 1 Bit
Spindle Speed 500~200 (CLV)
Wow & Flutter Below Mesurable Limit
Frequency Respons 10~20kHz (\pm 1dB)
THD 0.01% (1kHz)
S/N Ratio (dB) 96dB (1kHz)
Dynamic Range 93dB
Channel Separation 85dB

Preout Level (mV)/Load 1800mV/10k Ω (CD/CD-CH)
Preout Impedance (Ω) \leq 600 Ω

AMP

Maximum Power 45wx4
Power (DIN 45324, +B=14.4V) 28wx4

STONE

Bass 100Hz \pm 10dB
Middle 1kHz \pm 10dB
Treble 10kHz \pm 10dB

GENERAL

Operating voltage (11~16v allowable) 14.4V
Current Consumption 10A
Installation Size (Width) 182mm (7-3/16 inch)
(Height) 53mm (2-1/16 inch)
(Depth) 157mm (6-3/16 inch)
Weight 3.1 lbs (1.4kg)

KENWOOD follows a policy of continuous advancements in development. For this reason specifications may be changed without notice.

KENWOOD CORPORATION

14-6, Dogenzaka 1-chome, Shibuya-ku, Tokyo 150-8501 Japan

KENWOOD SERVICE CORPORATION
P.O. BOX 22745, 2201 East Dominguez Street, Long Beach, CA90801-5745, U.S.A.

KENWOOD ELECTRONICS CANADA INC.
6070 Kestrel Road, Mississauga, Ontario, Canada L5T 1S8

KENWOOD ELECTRONICS LATIN AMERICA S.A.
P.O. Box 55-2791 Paitilla, Plaza Credicorp Bank Panama,
Piso 9, Oficina 901, Calle 50, Panama, Rep. de Panama

KENWOOD ELECTRONICS BRASIL LTDA.
Alameda Ministro Rocha Azevedo No. 456,
Edifício Jaú, 10o Andar, Cerqueira César, Cep 0140-001,
São Paulo-SP-Brasil

KENWOOD ELECTRONICS UK LIMITED
Kenwood House, Dwight Road, Watford, Herts, WD1 8EB, United Kingdom

KENWOOD ELECTRONICS DEUTSCHLAND GMBH
Rembrücker-Str. 15, 63150 Heusenstamm, Germany

KENWOOD ELECTRONICS FRANCE S.A.
13, Boulevard Ney, 75018 Paris, France

KENWOOD ELECTRONICS BELGIUM N.V.
Leuvensesteenweg 248 J, 1800 Vilvoorde, Belgium

KENWOOD ELECTRONICS ITALIA S.p.A.
Via G. Sirtori 7/9, 20129 Milano, Italy

KENWOOD IBÉRICA S.A.
Bolivia, 239-08020 Barcelona, Spain

KENWOOD ELECTRONICS AUSTRALIA PTY. LTD. (A.C.N. 001 499 074)
16 Giffnock Avenue, Centrecourt Estate, North Ryde,
N.S.W. 2113, Australia

KENWOOD ELECTRONICS (HONG KONG) LTD.
Unit 3712-3724, Level 37, Tower 1, Metroplaza, 223 Hing Fong Road, Kwai Fong, N.T.,
Hong Kong

KENWOOD ELECTRONICS GULF FZE
P.O. Box 61318, Jebel Ali, Dubai, U.A.E.

KENWOOD ELECTRONICS (THAILAND) CO., LTD.
2019 New Pechburi Road, Bangkok, Huaykwang, Bangkok, 10320 Thailand

KENWOOD ELECTRONICS SINGAPORE PTE. LTD.
1 Genting Lane, #07-00, Kenwood Building, Singapore, 349544

KENWOOD ELECTRONICS (MALAYSIA) SDN BHD
#4.01 Level 4, Wisma Academy Lot 4A, Jalan 19/1, 46300 Petaling Jaya, Selangor Darul Ehsan,
Malaysia